

01650-WH Remote Control Spotlight

1

Description:

This spot light consists of 9x5W ultra bright LED bulbs. It is highly durable and excellent energy saver. The light projection extends to 200 feet away. This light runs on 12 or 24V DC circuit and is equipped with overload/overheat and overrotate protection. This spot light can rotate vertically 70 degrees and horizontally 340 degrees. It is equipped with remote control for ease of use and convenience.

Electrical Specification:

Power Consumption: 21W LED: 9pcs 5W
Operating Voltage: DC12 V/1.7A ,DC 24 V/1A
LED Colour/Colour Temperature: Daylight White /5500-6300 K
LED Beam Angle/Lumen: 110° /160-190 Lumen
Effective Lumen/Power compared to standard bulb: 545Lumen/100W
Sensing Distance: 50 meters
Frequency of remote control: 433 MHz
Operation Temperature: -20C° ~ +45°C
Life test for LED lamp(1000 hours): Lumen Maintenance Percentage>90%
Waterproof standard: IP 65
Certificate: CE RoHS

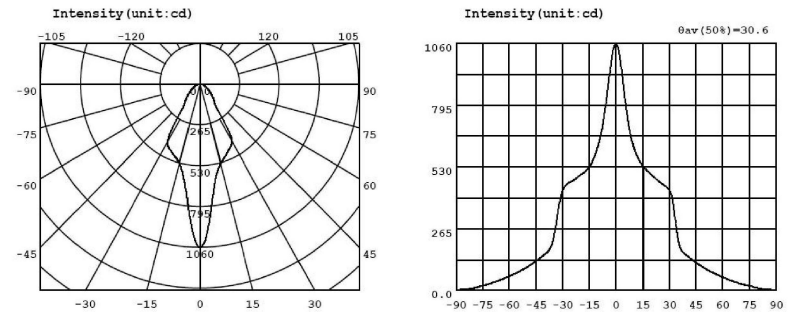
Technical Specifications:

Size: 213(L) x 168(W) x 270(H) mm
Weight: 1.9 kg (4.2 lbs)
Material: Body Made of UV PC, Base Made of UV PA
Housing Color: White
Operation: Remote controlled
Beam Angle: 5° Rotation 340°
Elevation Angle 48° up, 22° down
Rotation Speed: 8-10° per second (12 VDC), 12-14° per second (24 VDC)
Elevation Speed: 11-14° per second (12 VDC), 19-21° per second (24 VDC)
Power Cable Length: 4 m(15 feet)
Carton Dimension: 10 x 9 x 9" (25.4 x 22.9 x 22.9 cm)
Carton Weight: 3.2 kg (7 lbs)

CE

GONIOPHOTOMETER TEST REPORT

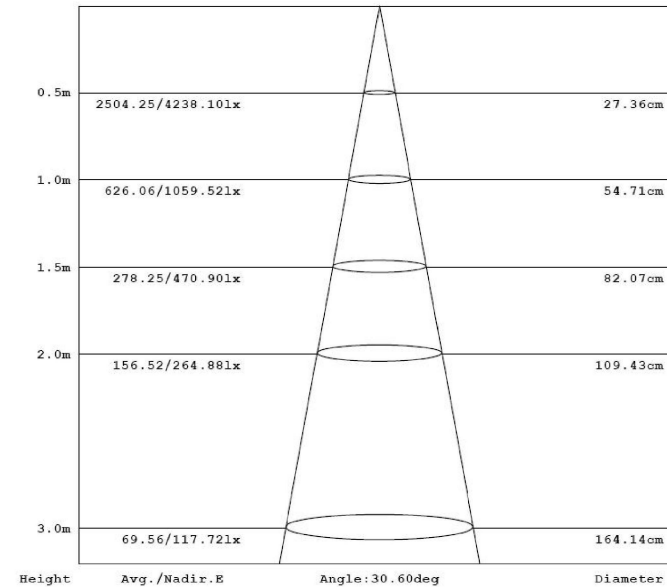
2



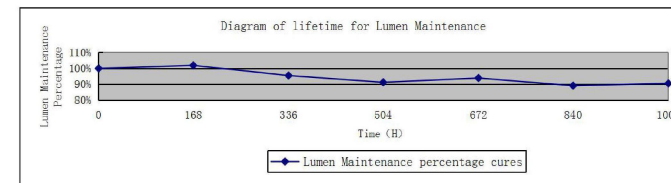
Optical Parameter (Distance=2.799m) :

Equivalent Luminous flux: $\Phi_{eff} = 834.31lm$ Efficiency: $Eff=49.66lm/W$
Diffuse angle: @ (25%): 68.0deg@ (50%): 30.6deg@ (75%): 11.3deg@ (50%): 30.6deg
Diffuse angle: @ (25%): 68.0deg@ (50%): 30.6deg@ (75%): 11.3deg@ (50%): 30.6deg
I_{max}=1060cd (C=0.0deg,G=0.0deg) C0-180Plane I_{max}= 1060cd(G=0.0deg)
C0-180Plane I₀= 1060cd

Average Illuminance Figure



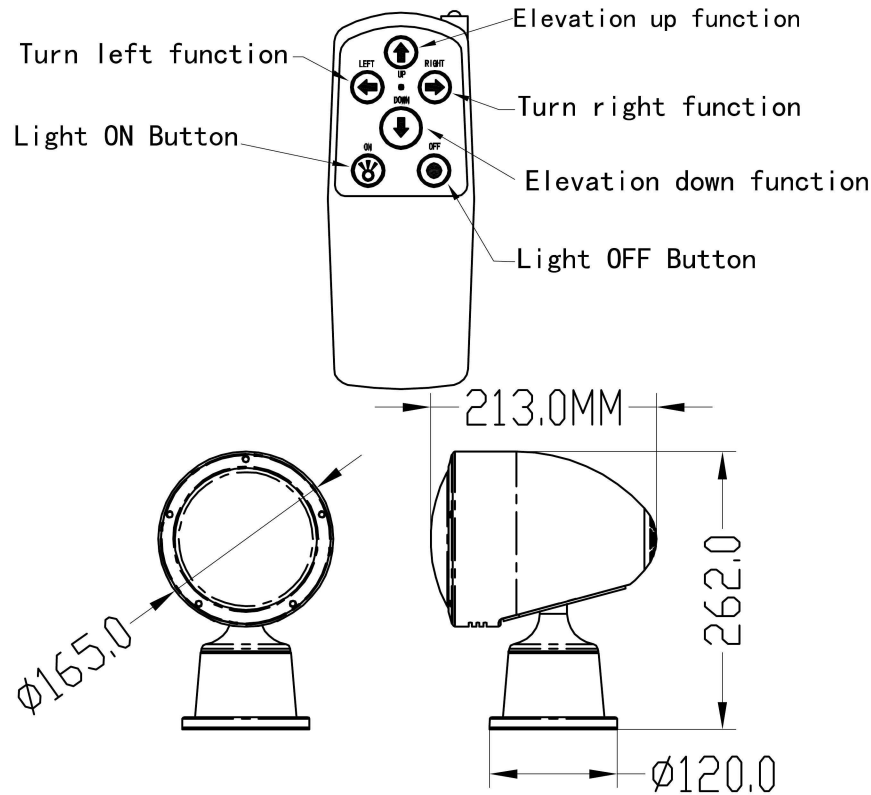
LIFETIME FOR LUMEN MAINTENANCE



Testing Module: Lasting 1000 hrs, Temperature Range 36-40°C, Humidity: 60%RH, Input Voltage: DC12V

CE

5. Press and hold the LEFT and RIGHT button simultaneously and turn on the power. Release the buttons after the light flashes once. This will clear all pairings with the remote control. Re-pairing the remote control will resume all normal operations.



Caution:

1. Please do not continue to press the rotate button on the remote control once the light has rotated to its maximum angle. Doing so will overstress the circuit and cause the lamp to malfunction.
2. This Spot Light works only with AAA manufactured remote control and so please do not tamper the light nor attempt to use other manufacturer's remote control to operate this fixture.

CE

Installation

- 1) The spotlight must be mounted on a flat smooth surface for optimal use. Keep the light away from locations where sails, line anchors or other dangers might cause damage to the light. You will need access to the underside of the location chosen and that location needs to be drilled. Please ensure **that** no wires or other structures are present where the screws need to be drilled into.
- 2) It is best to mount light as far forward and as high as permitted in order to minimize glare.
- 3) The gasket on the back cover of this booklet must be used to mark the locations of the four base mounting holes and the center wire harness hole onto the mounting surface.
- 4) Drill four 1/8" pilot holes into the marked points.
- 5) Please position the white circular mounting gasket on the base of the light while ensuring that the wire harness exits through the center hole in the gasket.
- 6) Lead the wire from the base of the light through the center hole of the mounting surface. A sealant can be applied to the pilot holes and around the wire harness that penetrates the mounting surface.
- 7) Wire Connections: Red wire of cable must be connected to the red wire of the spotlight and the same to the black wire of cable to the black wire of spotlight.
- 8) Secure the light on the mounting surface with the lens facing forward. Align the four holes in the light base and the mounting gasket with the four corner holes drilled into the mounting surface.
- 9) Fasten the spotlight securely using four M5 self tapping screws. Do not overtighten.

Initial Remote Control Programming

1. Please press and hold any one of the six buttons on the remote control.
2. While holding the button down, connect the red wire to the positive terminal and the Black wire to the negative terminal.
3. After 10 seconds, please release the button being pressed. The remote control will be programmed after button is released.
4. The remote control will be fully operational.

CE